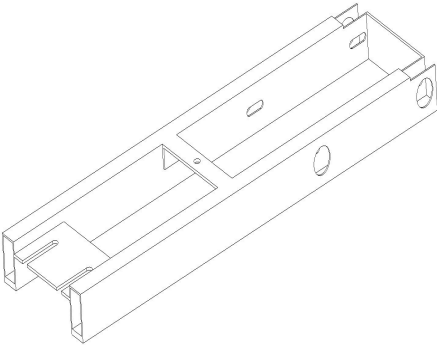
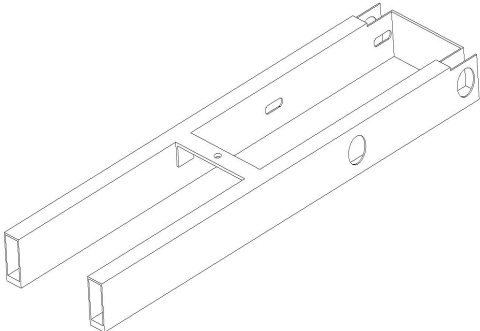
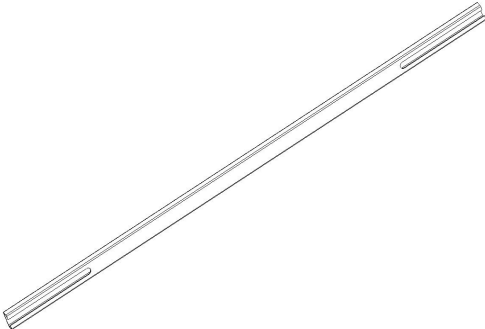
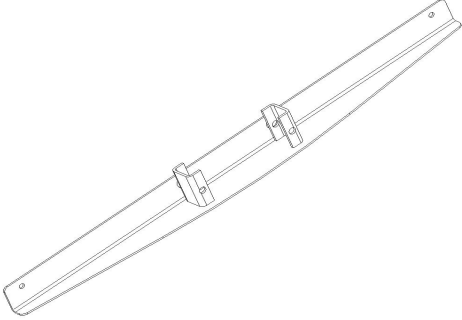
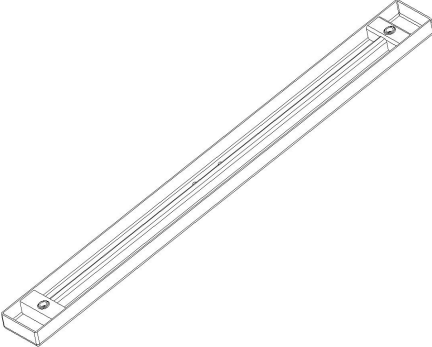


## 2-leg frame components

| Parts Name   | Pictures   | Quantity |
|--------------|--|----------|
| Frame end A  |  A 3D perspective drawing of a rectangular metal component. It features a central longitudinal slot and two circular holes on the top surface. The ends are slightly flared.                             | 1        |
| Frame end B  |  A 3D perspective drawing of a rectangular metal component, similar to Frame end A but with a different internal profile. It has a central longitudinal slot and two circular holes on the top surface. | 1        |
| Central rail |  A 3D perspective drawing of a long, thin, rectangular metal rail with a central longitudinal slot.  | 2        |

|                     |  |          |
|---------------------|--|----------|
| <b>Side Bracket</b> |  | <b>2</b> |
| <b>Foot</b>         |   | <b>2</b> |