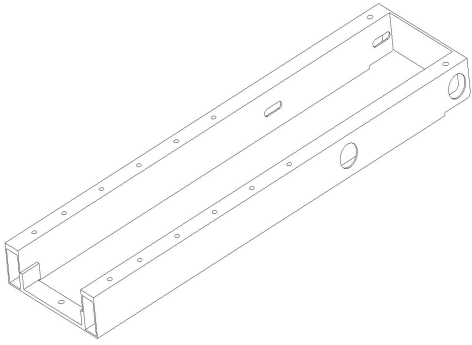
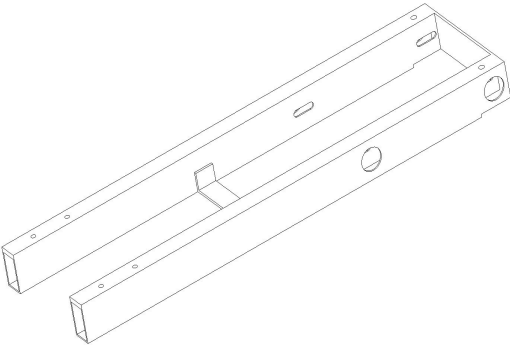
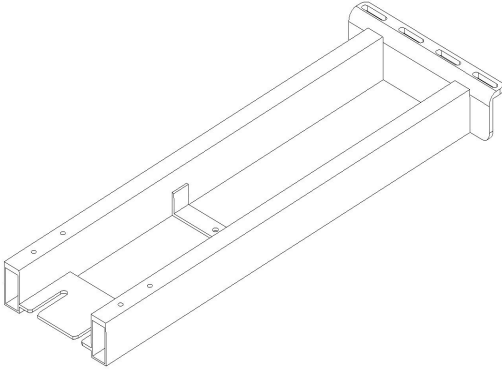
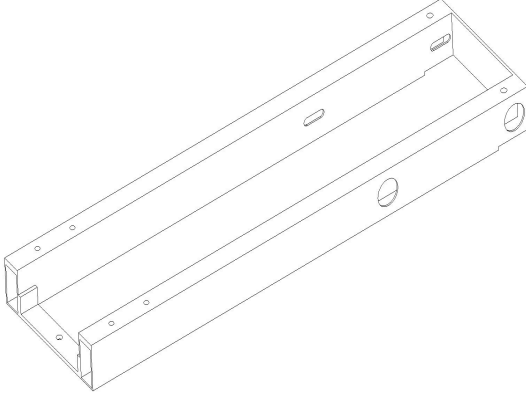
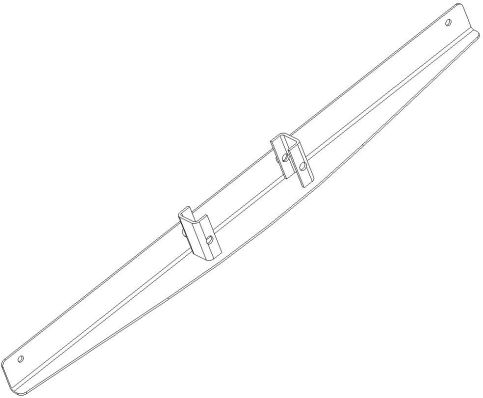
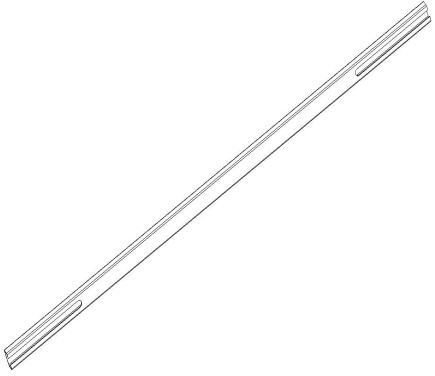
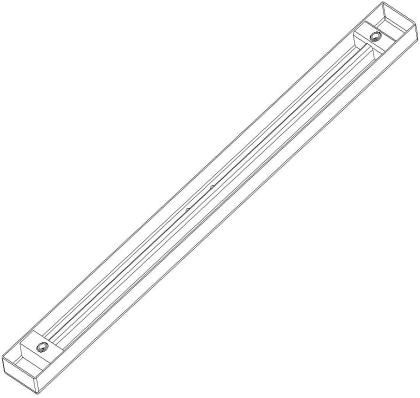


3-leg frame components

| Parts Name | Pictures | Quantity | Description |
|-------------|---|----------|--|
| Frame End A |  | 1 | Frame End A and Frame End B makes the main frame. Frame End C attaches to Frame End A by the screws holes on Frame End A |
| Frame End B |  | 1 | Frame End B and Frame End A makes the main frame. |
| Frame End C |  | 1 | Frame End C and Frame End D make the extended frame which attaches to the main frame. |
| Frame End D |  | 1 | Frame End D and Frame End C make the extended frame. |

| | | | |
|---------------------|---|----------|--|
| <p>Side bracket</p> |  | <p>3</p> | |
| <p>Central Rail</p> |  | <p>4</p> | |
| <p>Foot</p> |  | <p>3</p> | |